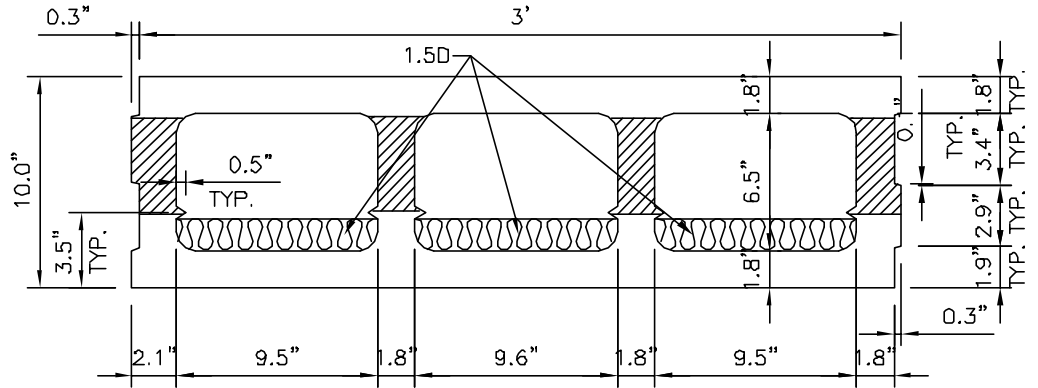
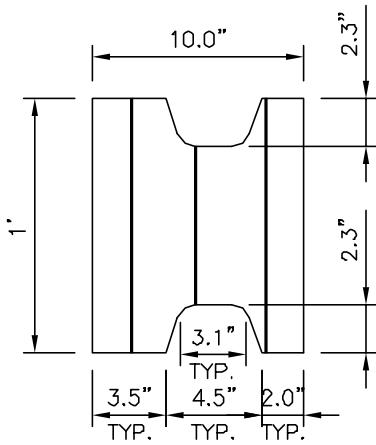


**FABRICATION NOTES:**

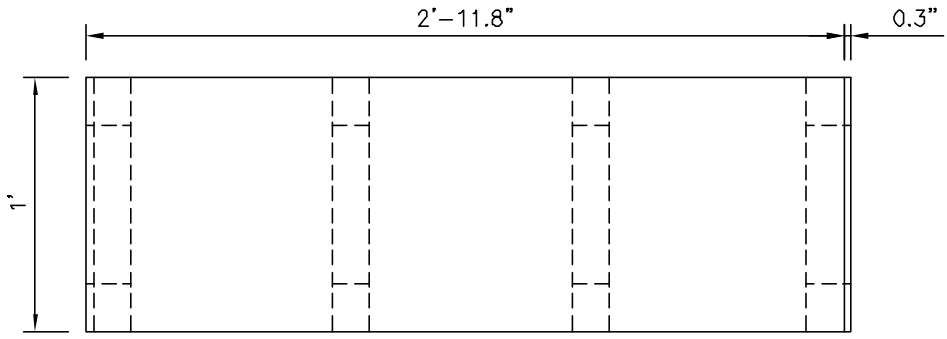
1. MAT FACE ON INSULATION INSERT IS FACING CORE. (IF APPLICABLE)
2. INSERTS 1.5D ARE INSTALLED IN WF BEFORE TRIMMING.



PLAN VIEW



RIGHT VIEW  
(CUT-OUT DIMENSIONS)



FRONT VIEW

**BILL OF MATERIAL**

ITEM	QUANTITY	UNIT	DESCRIPTION	HEIGHT		LENGTH	THICKNESS	GENERAL NOTES
				MADE	TRIMMED			
DURISOL	0.0354	m <sup>3</sup>	MIX WFC1		12"	36"	10"	
INSULATION INSERT	3	PCS.	TYPE 1.5D		12"		1.5"	

BLOCK WEIGHT: 21 kg ±2 kg

NOTE: ALL DIMENSIONS METRIC UNLESS OTHERWISE NOTED

**CONFIDENTIAL**

THIS DRAWING IS THE SOLE PROPERTY OF DURISOL INC. AND MAY NOT BE REPRODUCED WITHOUT THE WRITTEN CONSENT OF DURISOL INC. "DURISOL" IS THE REGISTERED TRADE MARK OF DURISOL INTERNATIONAL CORP.

THIS DRAWING IS NOT TO BE USED FOR PRODUCTION UNLESS DULY SIGNED BY BOTH THE DURISOL INC. FRID OFFICE AND THE DURISOL INC. PLANT OFFICE.

DURISOL INC. FRID  
DATE: \_\_\_\_\_  
SIGNED: \_\_\_\_\_  
DURISOL INC. PLANT  
DATE: \_\_\_\_\_  
SIGNED: \_\_\_\_\_

**PRODUCT IDENTIFICATION**

10" TWF STD  
(R-14)

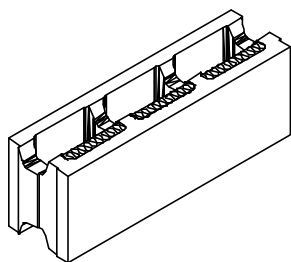
NO.	DATE	DESCRIPTION
3	11.30.99	GENERAL REVISIONS
2	06.02.99	ISSUED FOR PRODUCTION
1	06.02.99	PRELIMINARY

**Durisol.**

**hjr** H.J. RERUP CONSULTING INC.  
CONSULTING ENGINEERS

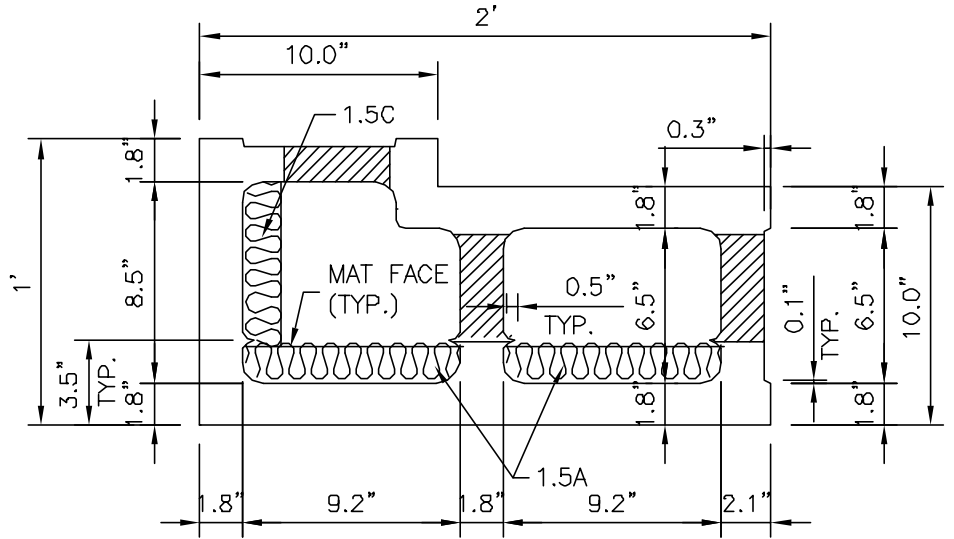
CHECKED PLANT:  
CHECKED FRID: VA/JD  
DRAWN BY: AJK  
DATE: JUNE 2, 1999  
DATE OF PRINT: NOVEMBER 30, 1999

CAD FILE: 25x90STD-T1.5.dwg  
PROJECT NO:  
DRAWING: 1 OF 1

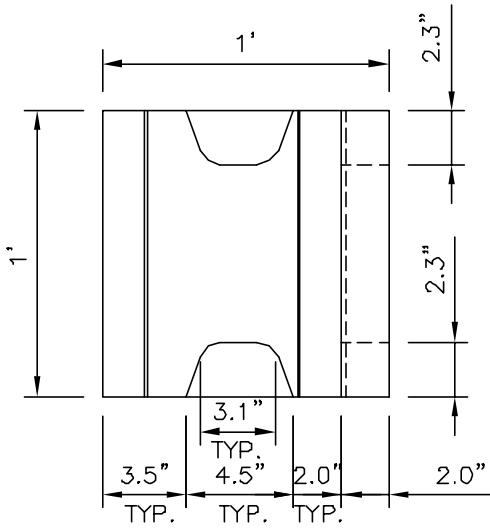


**FABRICATION NOTES:**

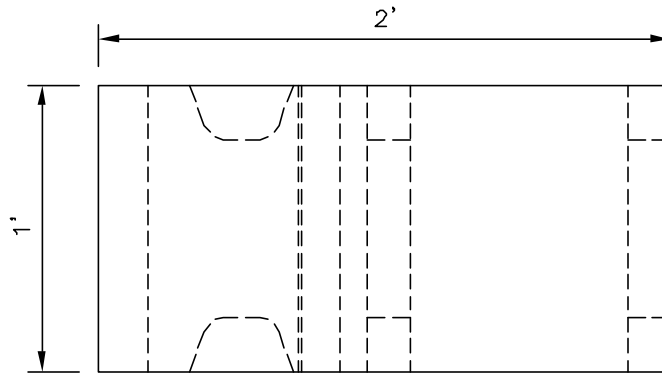
1. MAT FACE ON INSULATION INSERT IS FACING CORE. (IF APPLICABLE)
2. INSERTS 1.5A ARE INSTALLED IN WF BEFORE TRIMMING.
3. INSERT 1.5C IS INSTALLED IN WF AFTER TRIMMING.



PLAN VIEW



RIGHT VIEW  
(CUT-OUT DIMENSIONS)



FRONT VIEW

**BILL OF MATERIAL**

ITEM	QUANTITY	UNIT	DESCRIPTION	HEIGHT		LENGTH	THICKNESS	GENERAL NOTES
				MADE	TRIMMED			
DURISOL	0,0255	m3	MIX WFC1		12"	24"	10"	
INSULATION INSERT	2	PCS.	TYPE 1.5A		12"		1.5"	
INSULATION INSERT	1	PCS.	TYPE 1.5C		12"		1.5"	

BLOCK WEIGHT: 15 kg ±2 kg

NOTE: ALL DIMENSIONS METRIC UNLESS OTHERWISE NOTED

**CONFIDENTIAL**

THIS DRAWING IS THE SOLE PROPERTY OF DURISOL INC. AND MAY NOT BE REPRODUCED WITHOUT THE WRITTEN CONSENT OF DURISOL INC. "DURISOL" IS THE REGISTERED TRADE MARK OF DURISOL INTERNATIONAL CORP.

THIS DRAWING IS NOT TO BE USED FOR PRODUCTION UNLESS DULY SIGNED BY BOTH THE DURISOL INC. FRID OFFICE AND THE DURISOL INC. PLANT OFFICE.

DURISOL INC. FRID  
DATE: \_\_\_\_\_  
SIGNED: \_\_\_\_\_  
DURISOL INC. PLANT  
DATE: \_\_\_\_\_  
SIGNED: \_\_\_\_\_

**PRODUCT IDENTIFICATION**

10" TWF  
CORNER (R-14)

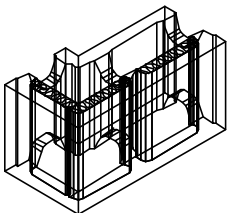
NO.	DATE	DESCRIPTION
3	11.30.99	GENERAL REVISIONS
2	06.03.99	ISSUED FOR PRODUCTION
1	06.03.99	PRELIMINARY

**Durisol.**

*Design* H.J. RERUP CONSULTING INC.  
CONSULTING ENGINEER

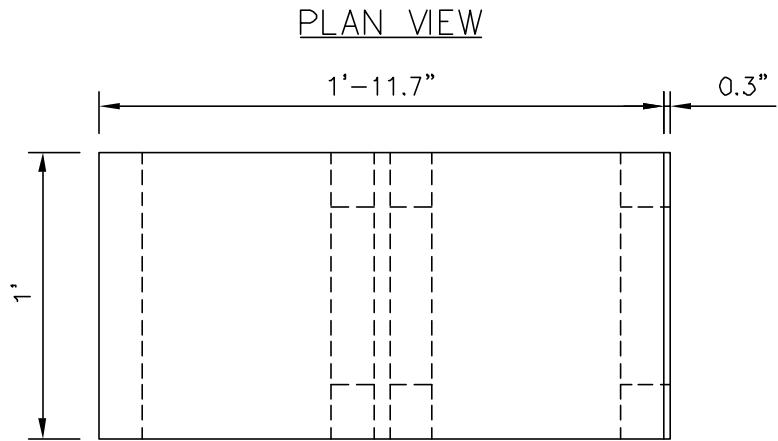
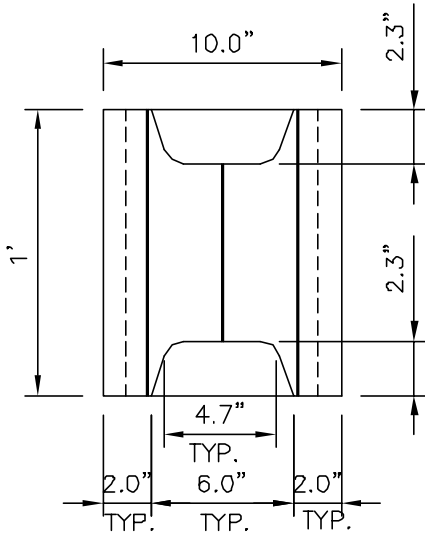
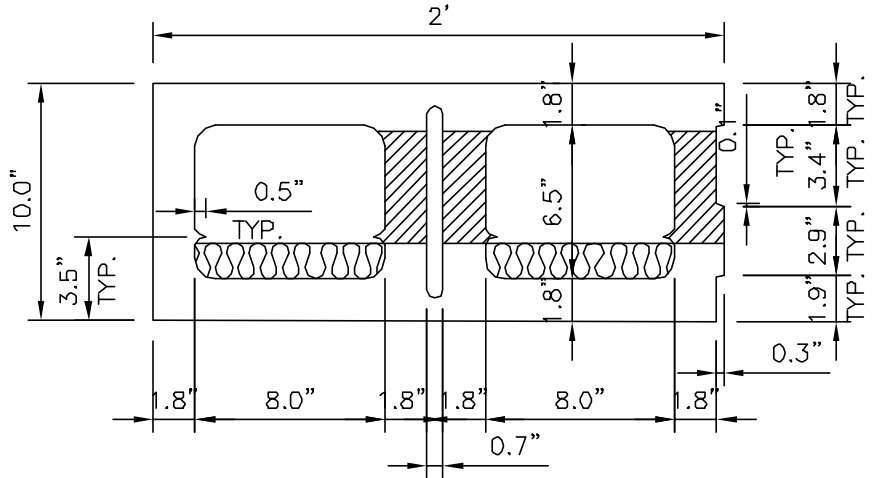
CHECKED PLANT:  
CHECKED FRID: VA/JD  
DRAWN BY: AJK  
DATE: JUNE 3, 1999  
DATE OF PRINT: NOVEMBER 30, 1999

CAD FILE: 25x60CORNER-T1.5.dwg  
PROJECT NO:  
DRAWING: 1 OF 1



**FABRICATION NOTES:**

1. MAT FACE ON INSULATION INSERT IS FACING CORE.
2. INSERTS 1.5B ARE INSTALLED IN WF BEFORE TRIMMING.

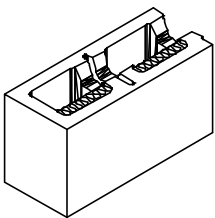


**BILL OF MATERIAL**

ITEM	QUANTITY	UNIT	DESCRIPTION	HEIGHT		LENGTH	THICKNESS	GENERAL NOTES
				MADE	TRIMMED			
DURISOL	0.0266	m3	MIX WFC1		12"	24"	10"	
INSULATION INSERT	2	PCS.	TYPE 1.5B		12"		1.5"	

BLOCK WEIGHT: 15 kg ±2 kg

NOTE: ALL DIMENSIONS METRIC UNLESS OTHERWISE NOTED



**CONFIDENTIAL**

THIS DRAWING IS THE SOLE PROPERTY OF DURISOL INC. AND MAY NOT BE REPRODUCED WITHOUT THE WRITTEN CONSENT OF DURISOL INC. "DURISOL" IS THE REGISTERED TRADE MARK OF DURISOL INTERNATIONAL CORP.

THIS DRAWING IS NOT TO BE USED FOR PRODUCTION UNLESS DULY SIGNED BY BOTH THE DURISOL INC. FRID OFFICE AND THE DURISOL INC. PLANT OFFICE.

DURISOL INC. FRID  
DATE: \_\_\_\_\_  
SIGNED: \_\_\_\_\_  
DURISOL INC. PLANT  
DATE: \_\_\_\_\_  
SIGNED: \_\_\_\_\_

**PRODUCT IDENTIFICATION**

10" TWF  
split/END (R-14)

NO.	DATE	DESCRIPTION
3	11.30.99	GENERAL REVISIONS
2	06.03.99	ISSUED FOR PRODUCTION
1	06.03.99	PRELIMINARY

**Durisol.**

**hjr** H.J. RERUP CONSULTING INC.  
CONSULTING ENGINEERS

CHECKED PLANT:  
CHECKED FRID: VA/JD  
DRAWN BY: AJK  
DATE: JUNE 3, 1999  
DATE OF PRINT: NOVEMBER 30, 1999

CAD FILE: 25x80epfl-END-11.5.dwg  
PROJECT NO:  
DRAWING: 1 OF 1