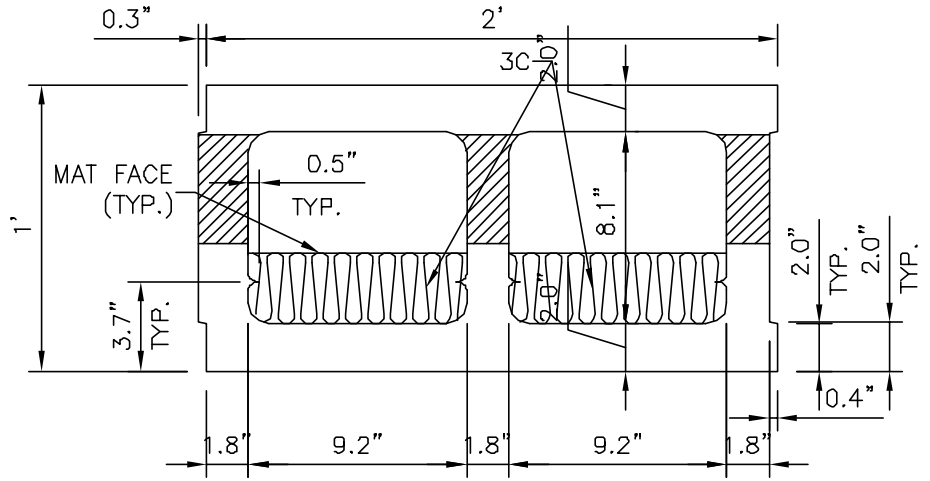
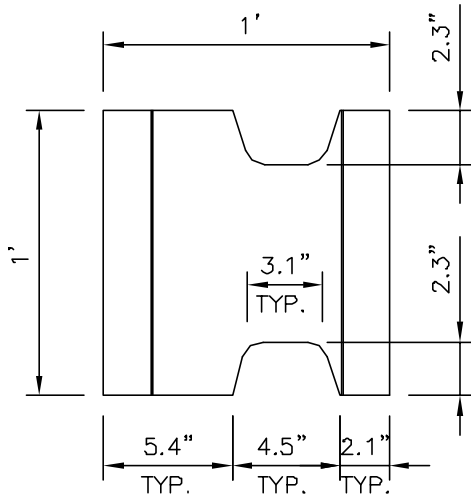


FABRICATION NOTES:

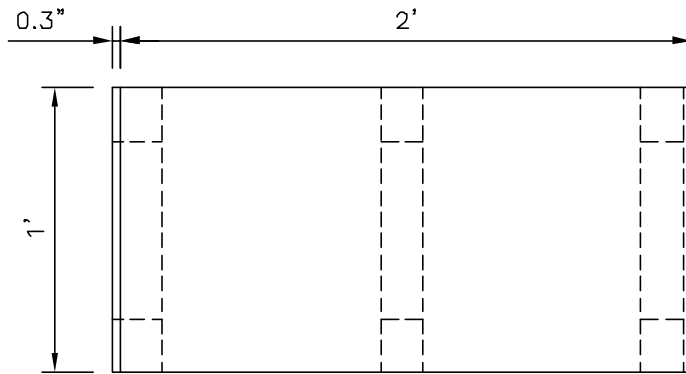
1. MAT FACE ON INSULATION INSERT IS FACING CORE. (IF APPLICABLE)
2. INSERTS 3C ARE INSTALLED IN WF BEFORE TRIMMING.



PLAN VIEW



RIGHT VIEW
(CUT-OUT DIMENSIONS)



FRONT VIEW

BILL OF MATERIAL

ITEM	QUANTITY	UNIT	DESCRIPTION	HEIGHT		LENGTH	THICKNESS	GENERAL NOTES
				MADE	TRIMMED			
DURISOL	0.0274	m3	MIX WFC1		12"	24"	12"	
INSULATION INSERT	2	PCS.	TYPE 3C		12"		3"	

BLOCK WEIGHT: 16 kg ±2 kg

NOTE: ALL DIMENSIONS METRIC UNLESS OTHERWISE NOTED

CONFIDENTIAL

THIS DRAWING IS THE SOLE PROPERTY OF DURISOL INC. AND MAY NOT BE REPRODUCED WITHOUT THE WRITTEN CONSENT OF DURISOL INC. "DURISOL" IS THE REGISTERED TRADE MARK OF DURISOL INTERNATIONAL CORP.

THIS DRAWING IS NOT TO BE USED FOR PRODUCTION UNLESS DULY SIGNED BY BOTH THE DURISOL INC. FRID OFFICE AND THE DURISOL INC. PLANT OFFICE.

DURISOL INC. FRID
DATE: _____
SIGNED: _____
DURISOL INC. PLANT
DATE: _____
SIGNED: _____

PRODUCT IDENTIFICATION

12" TWF
STD (R-20)

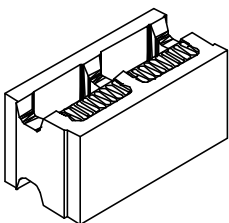
NO.	DATE	DESCRIPTION
3	11.30.99	GENERAL REVISIONS
2	05.28.99	ISSUED FOR PRODUCTION
1	05.28.99	PRELIMINARY

Durisol.

hjr H.J. RERUP CONSULTING INC.
CONSULTING ENGINEERS

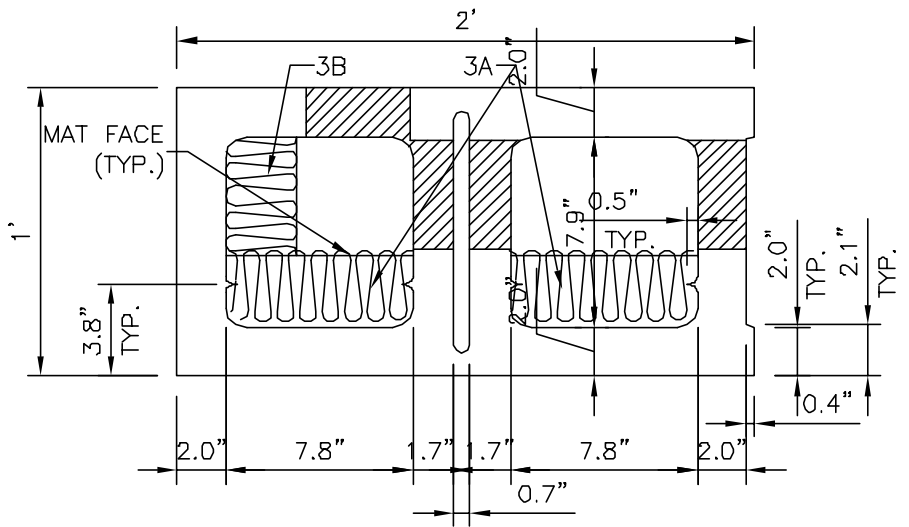
CHECKED PLANT:
CHECKED FRID: VA/JD
DRAWN BY: AJK
DATE: MAY 28, 1999
DATE OF PRINT: NOVEMBER 30, 1999

CAD FILE: 3Dx60STD-T3.dwg
PROJECT NO:
DRAWING: 1 OF 1

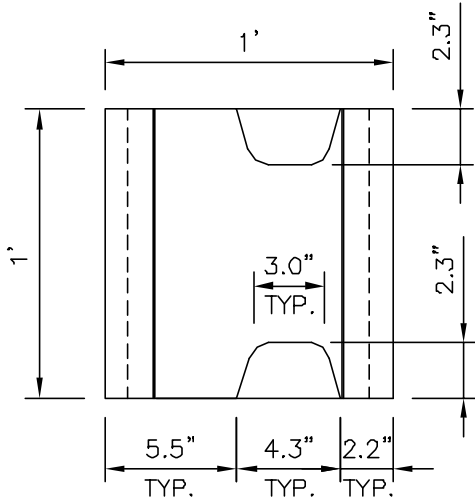


FABRICATION NOTES:

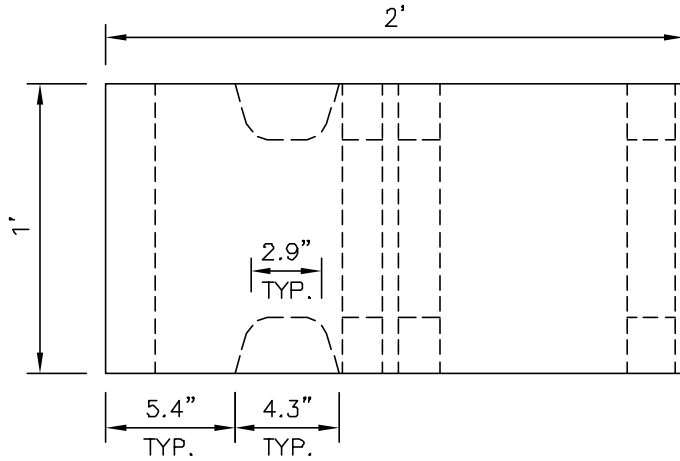
1. MAT FACE ON INSULATION INSERT IS FACING CORE. (IF APPLICABLE)
2. INSERTS 3A ARE INSTALLED IN WF BEFORE TRIMMING.
3. INSERT 3B IS INSTALLED IN WF AFTER TRIMMING.



PLAN VIEW



RIGHT VIEW
(CUT-OUT DIMENSIONS)



FRONT VIEW

BILL OF MATERIAL

ITEM	QUANTITY	UNIT	DESCRIPTION	HEIGHT		LENGTH	THICKNESS	GENERAL NOTES
				MADE	TRIMMED			
DURISOL	0.0292	m ³	MIX WFC1		12"	24"	12"	
INSULATION INSERT	2	PCS.	TYPE 3A		12"		3"	HEIGHT IS TRIMMED TO 305 BY TRIMMER
INSULATION INSERT	1	PCS.	TYPE 3B		12"		3"	3B INSERT IS INSTALLED AFTER TRIMMING
BLOCK WEIGHT: 17 kg ±2 kg								

NOTE: ALL DIMENSIONS METRIC UNLESS OTHERWISE NOTED

CONFIDENTIAL

THIS DRAWING IS THE SOLE PROPERTY OF DURISOL INC. AND MAY NOT BE REPRODUCED WITHOUT THE WRITTEN CONSENT OF DURISOL INC.. "DURISOL" IS THE REGISTERED TRADE MARK OF DURISOL INTERNATIONAL CORP.

THIS DRAWING IS NOT TO BE USED FOR PRODUCTION UNLESS DULY SIGNED BY BOTH THE DURISOL INC. FRID OFFICE AND THE DURISOL INC. PLANT OFFICE.

DURISOL INC. FRID

DATE: _____

SIGNED: _____

DURISOL INC. PLANT

DATE: _____

SIGNED: _____

PRODUCT IDENTIFICATION

12" TWF
split/crn (R-20)

NO.	DATE	DESCRIPTION
3	11.30.99	GENERAL REVISIONS
2	05.31.99	ISSUED FOR PRODUCTION
1	05.31.99	PRELIMINARY

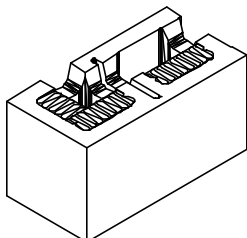
Durisol.



H.J. RERUP CONSULTING INC.
CONSULTING ENGINEERS

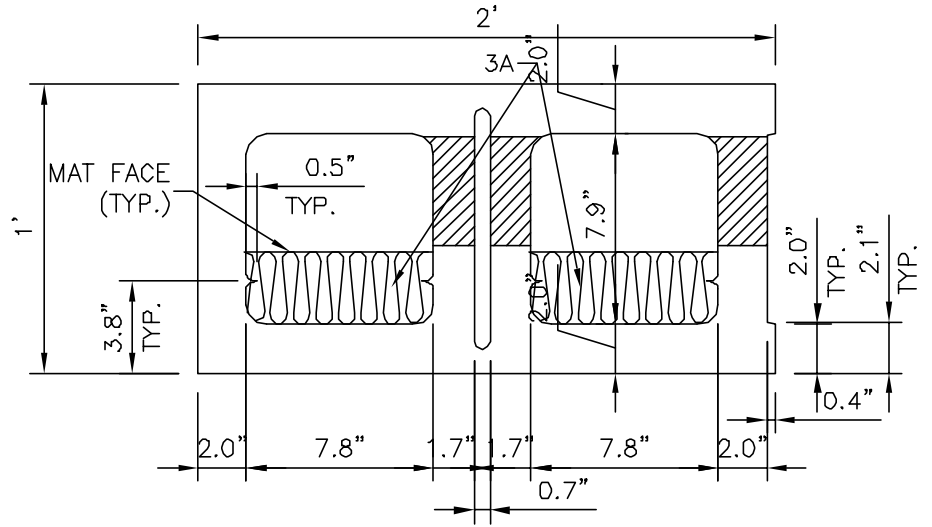
CHECKED PLANT:	
CHECKED FRID:	VA/JD
DRAWN BY:	AJK
DATE:	MAY 31, 1999
DATE OF PRINT:	NOVEMBER 30, 1999

CAD FILE:	30x60split-CRNER-T3.dwg
PROJECT NO:	
DRAWING:	1 OF 1

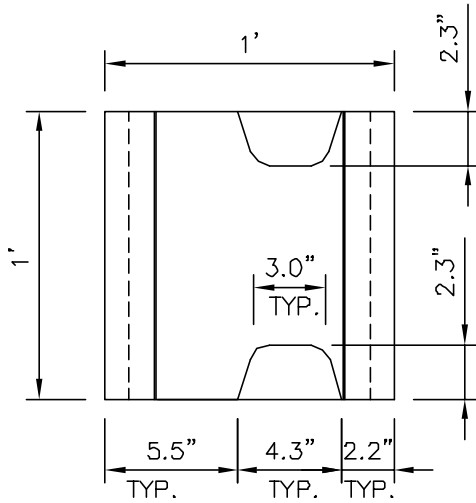


FABRICATION NOTES:

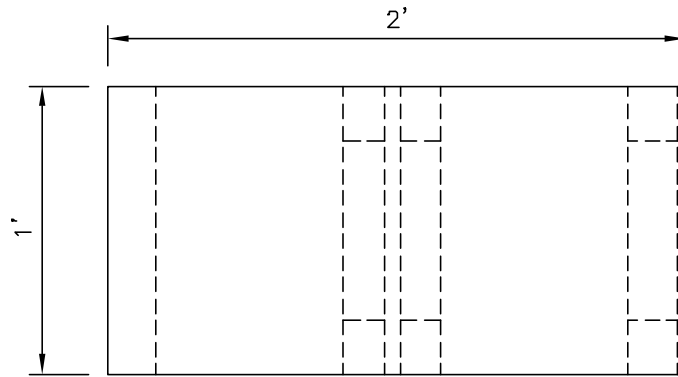
1. MAT FACE ON INSULATION INSERT IS FACING CORE. (IF APPLICABLE)
2. INSERTS 3A ARE INSTALLED IN WF BEFORE TRIMMING.



PLAN VIEW



RIGHT VIEW
(CUT-OUT DIMENSIONS)



FRONT VIEW

BILL OF MATERIAL

ITEM	QUANTITY	UNIT	DESCRIPTION	HEIGHT		LENGTH	THICKNESS	GENERAL NOTES
				MADE	TRIMMED			
DURISOL	0.0292	m ³	MIX WFC1		12"	24"	12"	
INSULATION INSERT	2	PCS.	TYPE 3A		12"		3"	

BLOCK WEIGHT: 17 kg ±2 kg

NOTE: ALL DIMENSIONS METRIC UNLESS OTHERWISE NOTED

CONFIDENTIAL

THIS DRAWING IS THE SOLE PROPERTY OF DURISOL INC. AND MAY NOT BE REPRODUCED WITHOUT THE WRITTEN CONSENT OF DURISOL INC. "DURISOL" IS THE REGISTERED TRADE MARK OF DURISOL INTERNATIONAL CORP.

THIS DRAWING IS NOT TO BE USED FOR PRODUCTION UNLESS DULY SIGNED BY BOTH THE DURISOL INC. FRID OFFICE AND THE DURISOL INC. PLANT OFFICE.

DURISOL INC. FRID

DATE: _____

SIGNED: _____

DURISOL INC. PLANT

DATE: _____

SIGNED: _____

PRODUCT IDENTIFICATION

12" TWF
split/END (R-20)

NO.	DATE	DESCRIPTION
3	11.30.99	GENERAL REVISIONS
2	05.31.99	ISSUED FOR PRODUCTION
1	05.31.99	PRELIMINARY

Durisol.



H.J. RERUP CONSULTING INC.
CONSULTING ENGINEERS

CHECKED PLANT:	
CHECKED FRID:	VA/JD
DRAWN BY:	AJK
DATE:	MAY 31, 1999
DATE OF PRINT:	NOVEMBER 30, 1999

CAD FILE:	30x60split-END-T3
PROJECT NO:	
DRAWING:	1 OF 1

