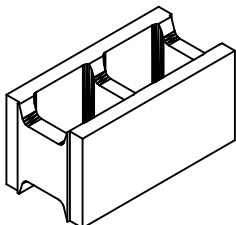


BILL OF MATERIAL

ITEM	QUANTITY	UNIT	DESCRIPTION	HEIGHT		LENGTH	THICKNESS	GENERAL NOTES
				MADE	TRIMMED			
DURISOL	0.0274	m3	MIX WFC1		12"	24"	12"	

BLOCK WEIGHT: 16 kg ± 2 kg

NOTE: ALL DIMENSIONS METRIC UNLESS OTHERWISE NOTED



CONFIDENTIAL

THIS DRAWING IS THE SOLE PROPERTY OF DURISOL INC. AND MAY NOT BE REPRODUCED WITHOUT THE WRITTEN CONSENT OF DURISOL INC.. 'DURISOL' IS THE REGISTERED TRADE MARK OF DURISOL INTERNATIONAL CORP.

THIS DRAWING IS NOT TO BE USED FOR PRODUCTION UNLESS DULY SIGNED BY BOTH THE DURISOL INC. FRID OFFICE AND THE DURISOL INC. PLANT OFFICE.

DURISOL INC. FRID
DATE: _____
SIGNED: _____
DURISOL INC. PLANT
DATE: _____
SIGNED: _____

PRODUCT IDENTIFICATION

**14" WF
STD R-28**

NO.	DATE	DESCRIPTION
3	12.01.10	GENERAL REVISIONS
2	05.27.99	ISSUED FOR PRODUCTION
1	05.26.99	PRELIMINARY

Durisol.

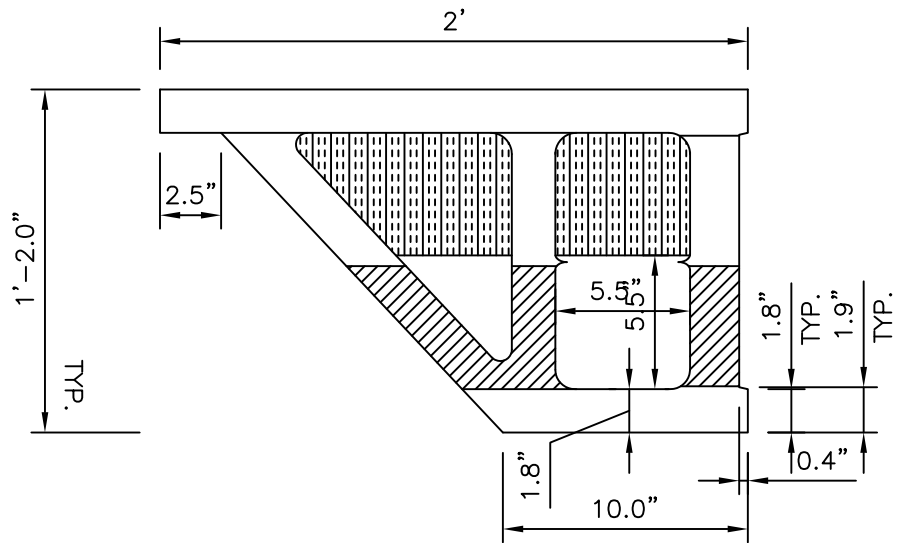
hjr H.J. RERUP CONSULTING INC.
CONSULTING ENGINEERS

CHECKED PLANT:
CHECKED FRID: VA/JD
DRAWN BY: AJK
DATE: MAY 26, 2011
DATE OF PRINT: June 1, 2011

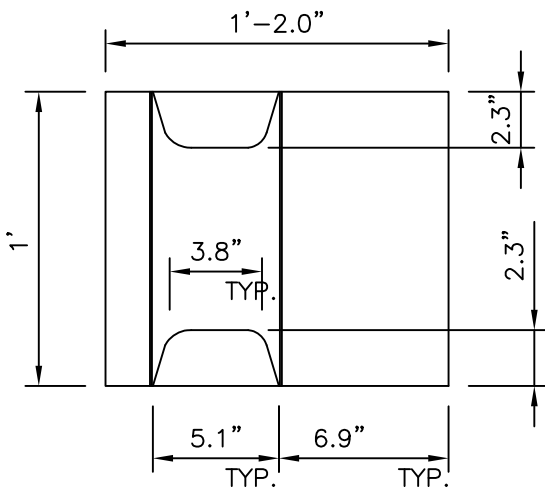
CAD FILE: 14" Std.dwg
PROJECT NO:
DRAWING:
1 OF 1

14" CORNERS ARE A
2 PIECE ASSEMBLY

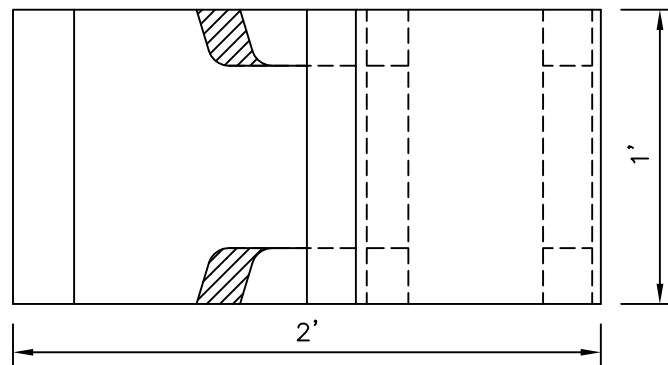
PART 1 OF 2



PLAN VIEW



LEFT VIEW
(CUT-OUT DIMENSIONS)



FRONT VIEW

BILL OF MATERIAL

ITEM	QUANTITY	UNIT	DESCRIPTION	HEIGHT		LENGTH	THICKNESS	GENERAL NOTES
				MADE	TRIMMED			
DURISOL	0.0292	m3	MIX WFC1		12"	24"	12"	

BLOCK WEIGHT: 17 kg ±2 kg

NOTE: ALL DIMENSIONS METRIC UNLESS OTHERWISE NOTED

CONFIDENTIAL

THIS DRAWING IS THE SOLE PROPERTY OF DURISOL INC. AND MAY NOT BE REPRODUCED WITHOUT THE WRITTEN CONSENT OF DURISOL INC.. 'DURISOL' IS THE REGISTERED TRADE MARK OF DURISOL INTERNATIONAL CORP.

THIS DRAWING IS NOT TO BE USED FOR PRODUCTION UNLESS DULY SIGNED BY BOTH THE DURISOL INC. FRID OFFICE AND THE DURISOL INC. PLANT OFFICE.

DURISOL INC. FRID
DATE: _____
SIGNED: _____
DURISOL INC. PLANT
DATE: _____
SIGNED: _____

PRODUCT IDENTIFICATION

**14" WF
CRN R-28**

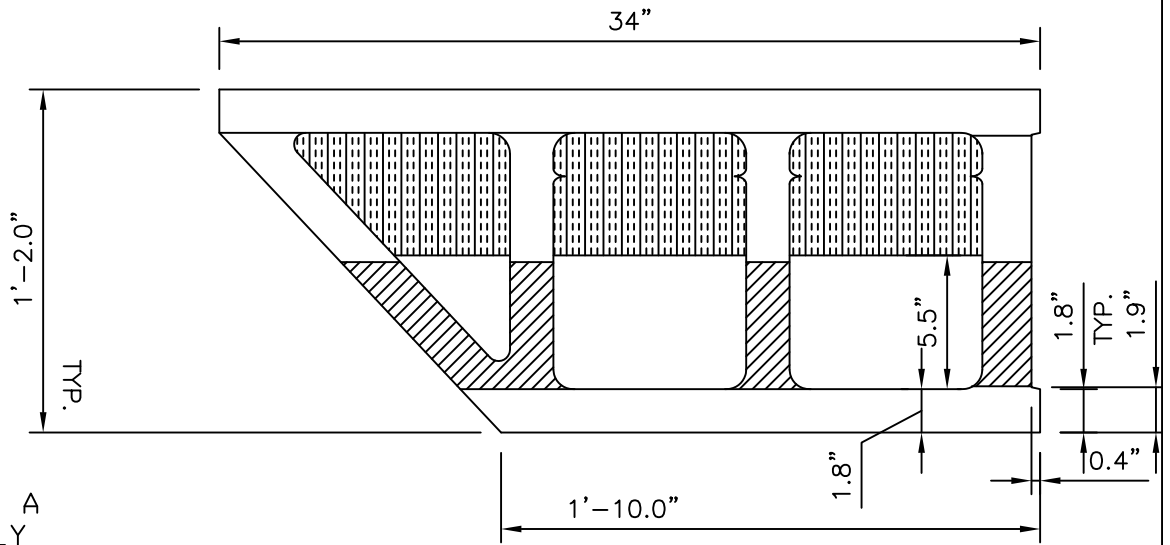
NO.	DATE	DESCRIPTION
3	12.01.10	GENERAL REVISIONS
2	05.27.99	ISSUED FOR PRODUCTION
1	05.27.99	PRELIMINARY

Durisol.

hjr H.J. RERUP CONSULTING INC.
CONSULTING ENGINEERS

CHECKED PLANT:
CHECKED FRID: VA/JD
DRAWN BY: AJK
DATE: MAY 27, 2010
DATE OF PRINT: DECEMBER 1, 2010

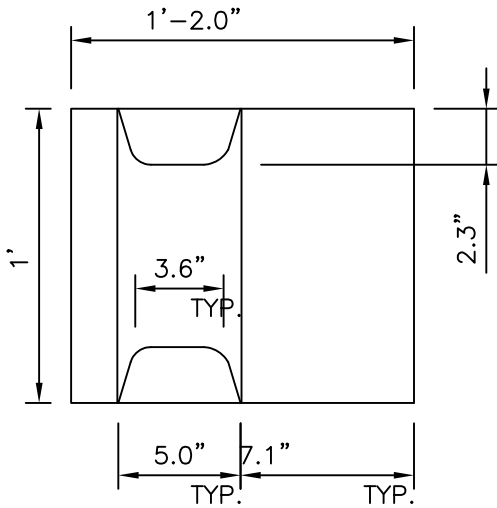
CAD FILE: 14-R-8-CRN1.dwg
PROJECT NO:
DRAWING: **1 OF 1**



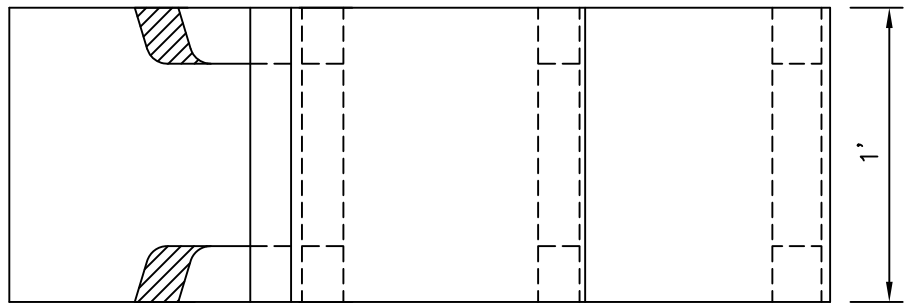
14" CORNERS ARE A
2 PIECE ASSEMBLY

PART 2 OF 2

PLAN VIEW



LEFT VIEW
(CUT-OUT DIMENSIONS)



FRONT VIEW

BILL OF MATERIAL

ITEM	QUANTITY	UNIT	DESCRIPTION	HEIGHT		LENGTH	THICKNESS	GENERAL NOTES
				MADE	TRIMMED			
DURISOL	0.0292	m3	MIX WFC1		12"	24"	12"	

BLOCK WEIGHT: 17 kg ± 2 kg

NOTE: ALL DIMENSIONS METRIC UNLESS OTHERWISE NOTED

CONFIDENTIAL

THIS DRAWING IS THE SOLE PROPERTY OF DURISOL INC. AND MAY NOT BE REPRODUCED WITHOUT THE WRITTEN CONSENT OF DURISOL INC.. "DURISOL" IS THE REGISTERED TRADE MARK OF DURISOL INTERNATIONAL CORP.

THIS DRAWING IS NOT TO BE USED FOR PRODUCTION UNLESS DULY SIGNED BY BOTH THE DURISOL INC. FRID OFFICE AND THE DURISOL INC. PLANT OFFICE.

DURISOL INC. FRID
DATE: _____
SIGNED: _____
DURISOL INC. PLANT
DATE: _____
SIGNED: _____

PRODUCT IDENTIFICATION

**14" WF
CRN R-28**

NO.	DATE	DESCRIPTION
3	12.01.10	GENERAL REVISIONS
2	05.27.99	ISSUED FOR PRODUCTION
1	05.27.99	PRELIMINARY

Durisol.

hjr H.J. RERUP CONSULTING INC.
CONSULTING ENGINEERS

CHECKED PLANT:
CHECKED FRID: VA/JD
DRAWN BY: AJK
DATE: MAY 27, 2010
DATE OF PRINT: DECEMBER 1, 2010

CAD FILE: 14-R-8-CRN1.dwg
PROJECT NO:
DRAWING: **1 OF 1**